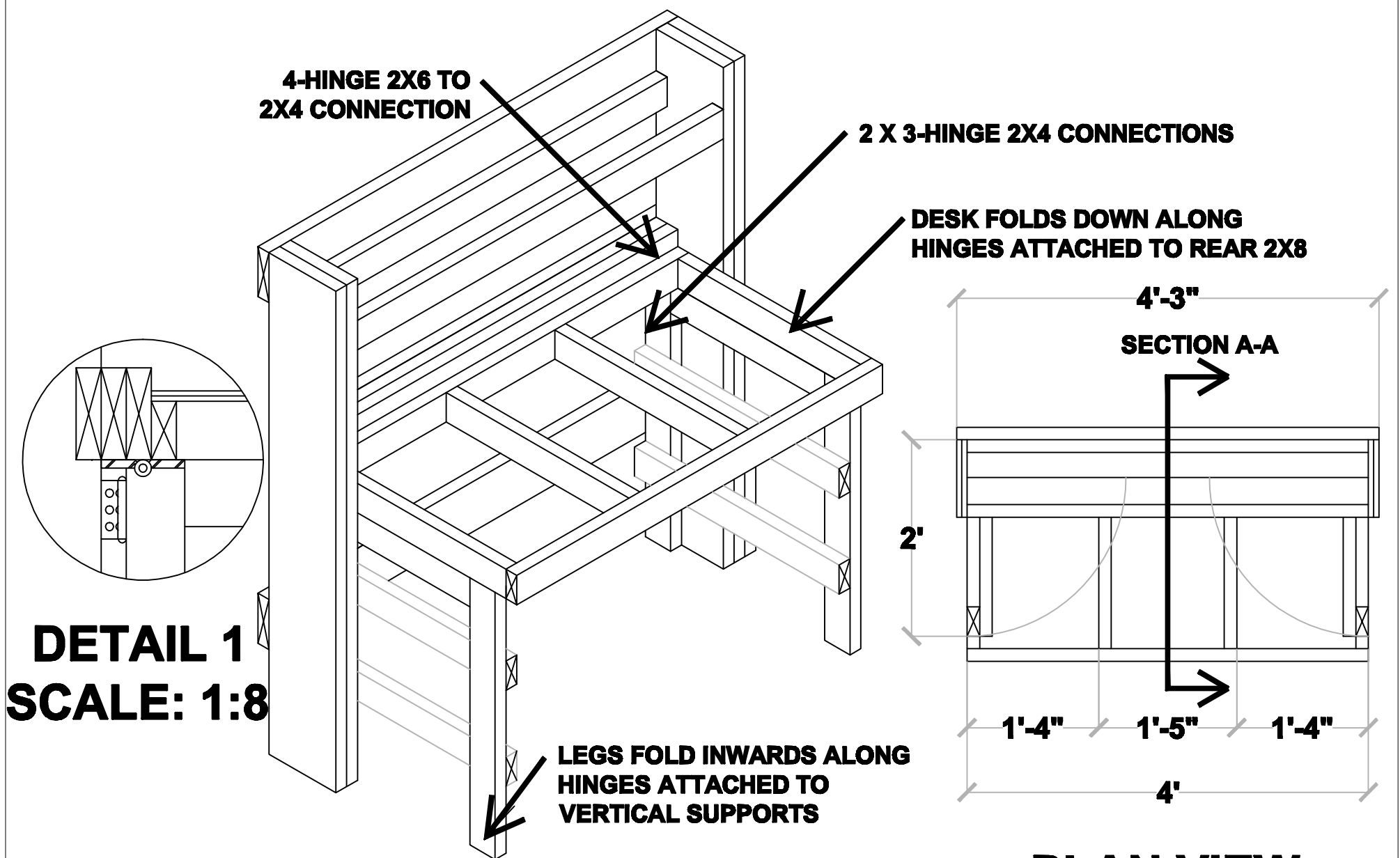


SECTION A-A LEFT ELEVATION FRONT ELEVATION



PLAN VIEW

SCALE: 1:16